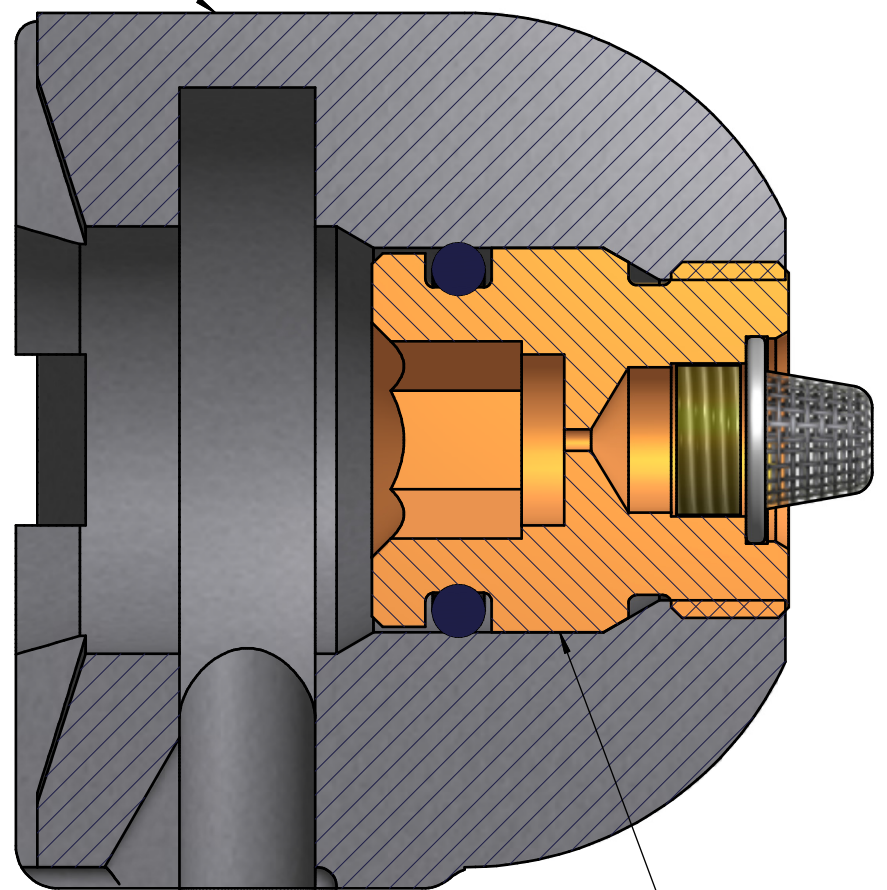


SNAPPER HOUSING
75197



A-A
PLUG SPRAY
75198

THIS DRAWING REMAINS THE PROPERTY OF MINNOVATION LIMITED AND MUST NOT BE REPRODUCED, COPIED OR SHARED WITH A THIRD PARTY WITHOUT THE WRITTEN PERMISSION OF THE OWNER

REV	REV BY	DATE	REV NO.	REV	REV BY	DATE	REV NO.	REV	REV BY	DATE	REV NO.
A	MP	02/11/2011	First Issue								

TITLE			
SNAPPER HOUSING WITH PLUG SPRAY			
DRAWN BY	MP	CHKD BY	
DATE	02/11/2011	DATE	

© MINNOVATION LIMITED SHEET 1 / 1

MINNOVATION LTD

Cliff Hill Works
Balne Lane
Wakefield WF2 0DF
Tel: +44 (0) 1924 215315
Fax: +44 (0) 1924 215316
Email: sales@minnovation.co.uk

1984 - 2004
20 YEARS

Reg. No. 1226873 England
VAT No. GB 404775166

DO NOT SCALE DRAWING IF IN DOUBT ASK

DRG NO. **75196** REV **A**